



Struggling hard for right information at the right time ?

Scalable Systems

INFORMATICA
Center of Excellence

END TO END DATA INTEGRATION SERVICES USING INFORMATICA

Scalable Systems provides expert solutions using INFORMATICA to address complex data integration problems in an enterprise. Combining the expert knowledge of the Informatica products and Data Integration industry along with the standard processes and Project Management approach, Scalable Systems provides optimal quality and complete Informatica solutions.



- EXPERTISE IN POWERCENTER, POWEREXCHANGE, POWERCONNECT, POWERANALYZER, SUPERGLUE ETC.
- EXPERTISE IN PERFORMANCE TUNING AND LARGE VOLUME DATA LOADS
- FOCUSED ON BEST PRACTICES USING INFORMATICA VELOCITY
- ALL INFORMATICA CONSULTANTS ARE INFORMATICA CERTIFIED
- ONSHORE / OFFSHORE IMPLEMENTATION



Transforming Data into Intelligence



Our end to end offering in INFORMATICA solutions includes

- Architecture, Installation and Configuration of INFORMATICA products
- Complete PowerCenter Project Life Cycle Management
- Implementation of Integration Competency Center (ICC), Service Oriented Architecture (SOA) and ETL Best Practices
- Implementing SuperGlue enterprise metadata management solution to integrate, visualize and analyze metadata from disparate systems
- Repository Management, Security Management at all levels including Informatica, Database and Host
- Performance Tuning at all levels including Informatica, Database and Host
- Test and Quality Assurance of Informatica Implementation

INFORMATICA POWERCENTER

Informatica PowerCenter is a powerful tool for the Data Warehousing and Data Integration solutions. Scalable Systems offers expertise in development, migration, upgrade, maintenance and performance tuning using all versions of Informatica PowerCenter.

Using Informatica PowerCenter Scalable Systems can help organizations to

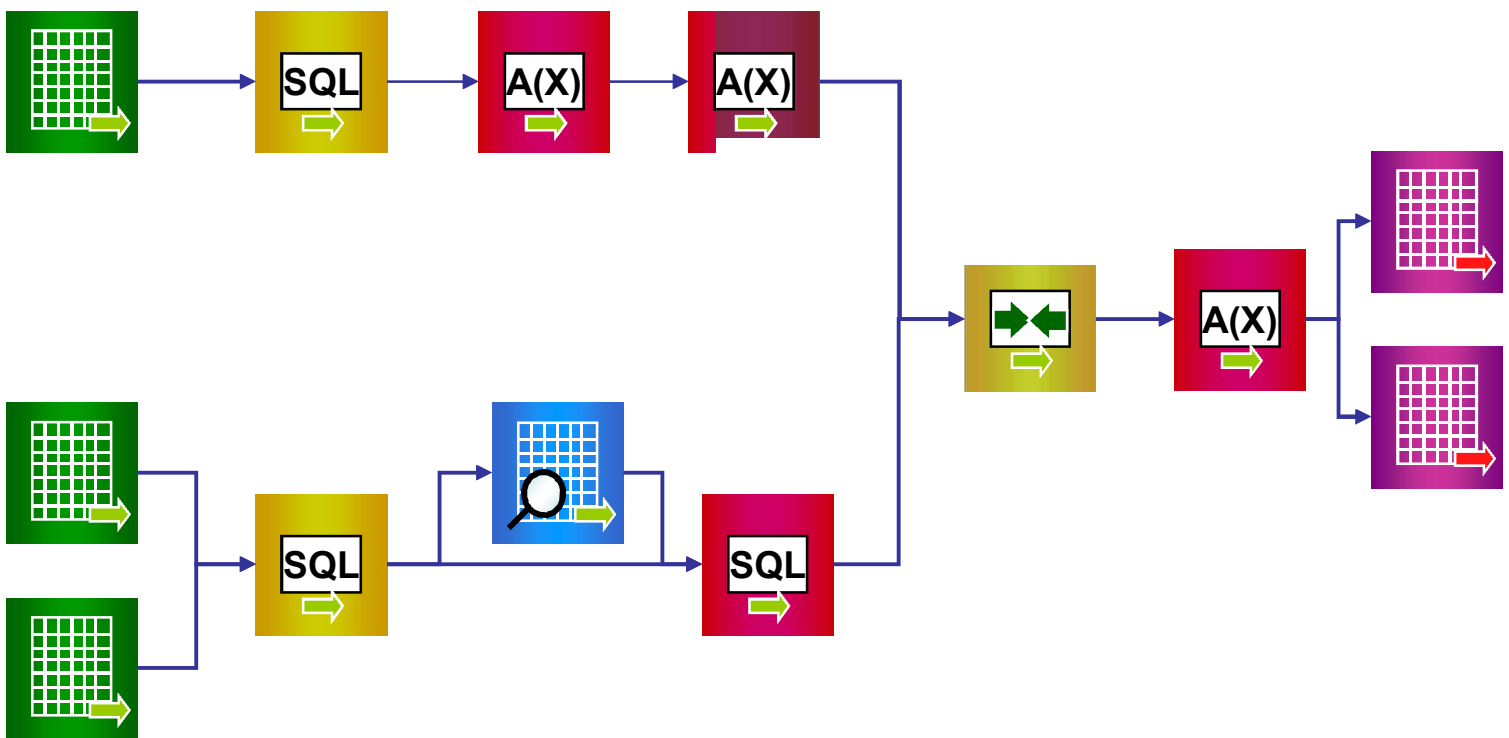
- Efficiently access data from various heterogeneous sources including structured, unstructured and semi structured data source (RDBMS, ERPs, CRMs, XML, COBOL, Flat files, Legacy applications)
- Transforming the data as per the requirements using built-in transformations and custom transformations.
- Enforce security in Data Integration implementations to prevent unauthorized or authenticated access to key data of the Enterprise.
- Implementing PowerCenter Web Services for additional reusability and interoperability of the system.
- Standardize the error handling processes including error logging, metadata logging, etc.
- Improve performance of servers by using performance tuning technique.
- Implement configuration management, version management, automated object migration and fully schedulable deployment.

INFORMATICA POWEREXCHANGE

Making mission critical operational data available to users and business process is a key challenge faced by Enterprises. Scalable Systems provides reliable efficient solutions for this challenge using Informatica Power Exchange. Combining the service oriented architecture of PowerExchange and expert knowledge in operational data integration, Scalable Systems provides robust data integration solutions.

Using Informatica PowerExchange Scalable Systems can help organizations to

- Provide a uniform infrastructure to access fragmented operational data
- Automate and adapt the complex and ever changing operational data to a common interface
- Implement guaranteed data integrity to the operational data
- Provide Operational efficiencies for the Data integration process
- Provide right data from various enterprise systems such as CRMs , ERP, Flat Files , RDBMS etc with guaranteed compliance to the standards
- Deliver data through push and pull



INFORMATICA POWERCONNECT

As the information is spread through out various sources it is very critical to have data access to an array of systems. Scalable Systems using PowerConnect architecture can avail a variety of data sources such as CRM, ERP, real time message queue, meta data, remote data etc. for data integration solutions. Major services offered by Scalable Systems using PowerConnect are

- Real time exchange of data across applications
- Enablement of native integration of SAP, Siebel, MQ series, TIBCO etc.
- Enablement of the integration of SAP and non SAP data for enterprise analysis
- Meta Data synchronization with SAP, Siebel, MQ series, TIBCO etc.
- Development of custom connector for non supported data sources

INFORMATICA DATA QUALITY / DATA EXPLORER

An effective data quality strategy can help you better understand your business environment, allowing maximum profitability and cost reduction due to operational inefficiencies. Data Profiling and Data Mapping are very important for any data integration initiative to make sure the data is correct and correct is mapped to the right target.

Using INFORMATICA DATA QUALITY / DATA EXPLORER Scalable Systems can help organizations to

- Inspect data for errors, inconsistencies, redundancies and incomplete information, map complex mappings between two data sets
- Plan a systematic approach for analyzing and implementing data quality solutions for the data coming from various data sources using data profiler and data auditing
- Profile the data more deeply and regularly, establish proactive and reactive of data quality to assist in master data management initiative
- Develop data governance policies for overall management of the availability, usability, integrity, security of the data employed in an enterprise

www.scalable-systems.com
email: informatica@scalable-systems.com